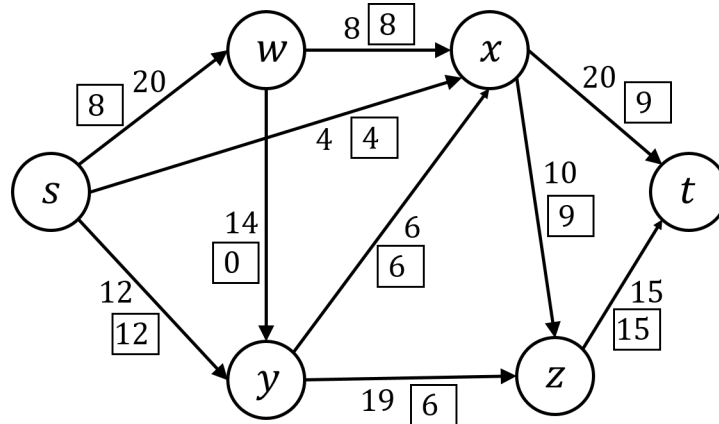


COSC 311: ALGORITHMS

MINI 9

Due Friday, November 15 in class

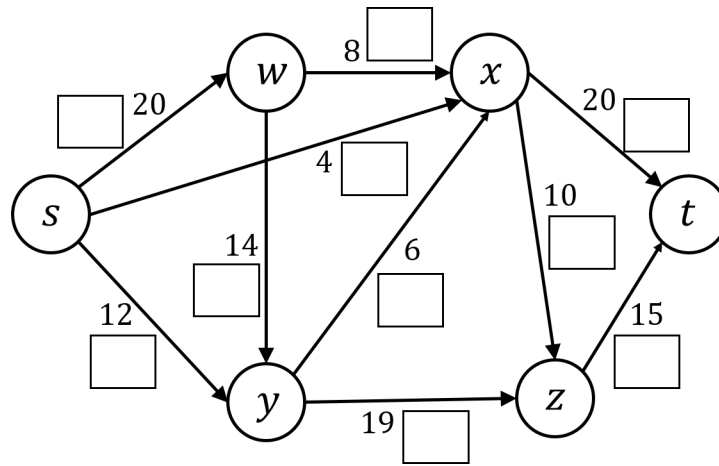
Here's a graph, where the numbers in boxes represent a flow and the numbers not in boxes represent edge capacities:



1. Residual graphs. Draw the residual graph based on this flow.

2. Augmenting paths. State an augmenting path in the residual graph.

3. Augment. Show the new flow after you update based on the augmenting path you identified in (2).



4. Min cuts. Is the flow you gave in (3) a max flow? Explain why or why not by giving the min cut in this graph.